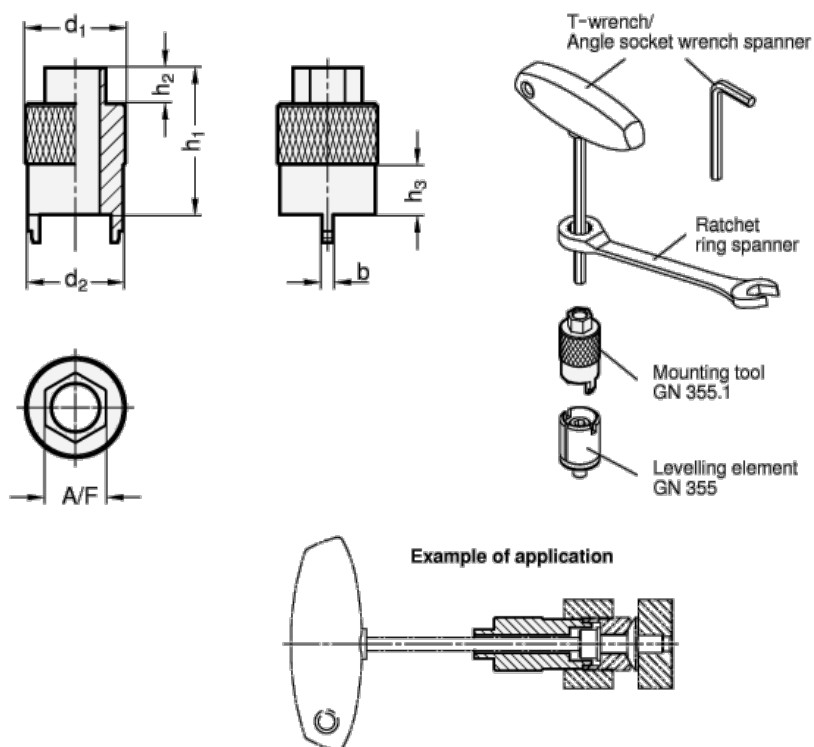


Article number: 20355136

Description: E+G Mounting tool, GN 355.1-36

Measures



A/F	= 22
b	= 4
d1	= 36
d2	= 34.5
h1	= 53
h2	= 13
h3	= 18
Max torque pres Nm	= 150

Weight in (g) = 255